

LDS CT UPS SYSTEMS

◆ **SALIENT FEATURES**

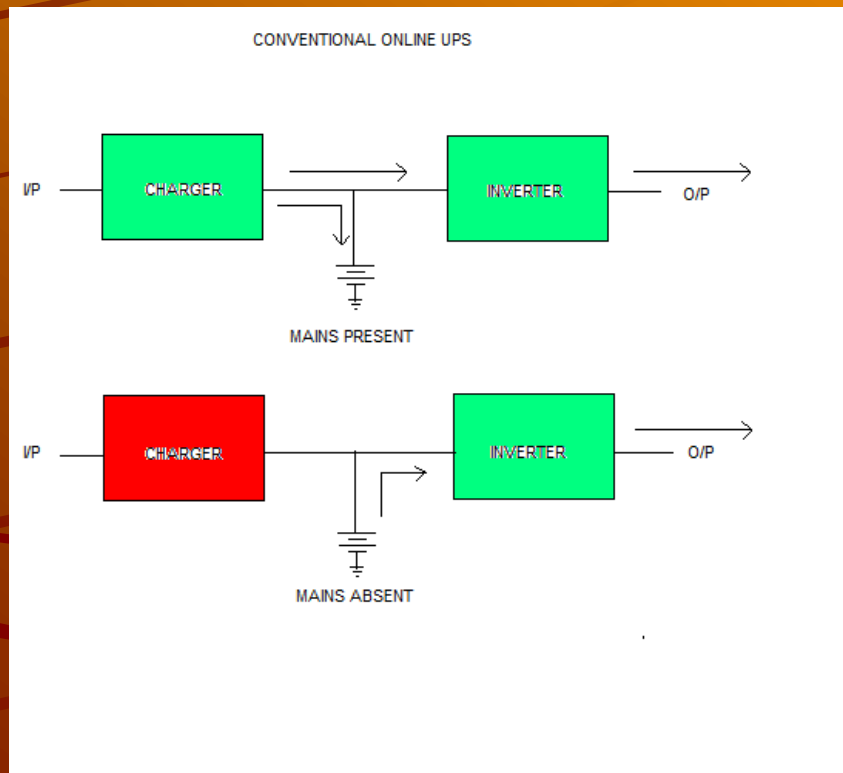
- ◆ VERY LOW INPUT POWER REQUIREMENT-15 KVA*
- ◆ INBUILT GALVANIC ISOLATION
- ◆ HYPER DYNAMIC RESPONSE
- ◆ INSTANTANEOUS SINE CORRECTION
- ◆ INPUT POWER FACTOR CORRECTION

◆ **BENEFITS**

- ◆ SAVING ON POWER SANCTION AND CABLING COST
- ◆ SAVING ON GENERATOR COST(LOWER CAPACITY GENERATOR IS REQUIRED)
- ◆ SAVING ON DIESEL COST
- ◆ REDUCED CT BREAKDOWNS AND UNINTERRUPTED PATIENT SCAN
- ◆ HYPER DYNAMIC RESPONSE ENSURE VOLTAGE CORRECTIONS WITHIN 5 TO 8 MILLISECONDS

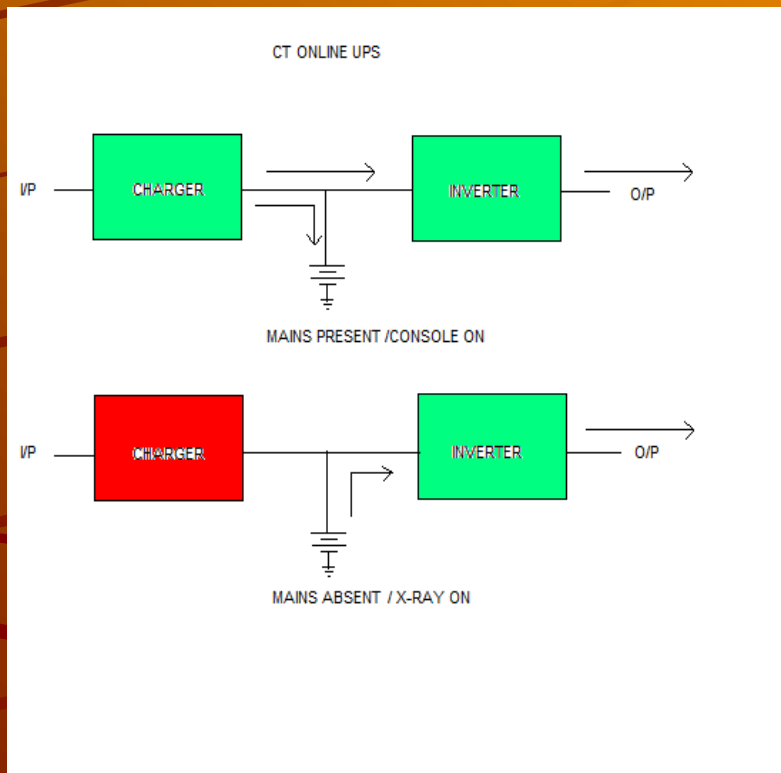
* UPS CAN BE PROGRAMMED FOR DESIREABLE INPUT POWER REQUIREMENT IRRESPECTIVE OF OUTPOWER CAPACITY.

CONVENTIONAL ONLINE UPS



- ◆ POWER IS DRAWN FROM MAINS DURING X-RAY EXPOSURE
- ◆ UPS WORKS ON BATTERY MODE ONLY IN THE ABSENCE OF MAINS
- ◆ LOW EFFICIENCY CHARGER

CT ONLINE UPS



- ◆ POWER IS DRAWN FROM MAINS ONLY WHEN CONSOLE IS OPERATIONAL.
- ◆ DURING EXPOSURE POWER IS DRAWN FROM BATTERY.
- ◆ IRRESPECTIVE OF O/P CAPACITY OF UPS, I/P CAPACITY CAN BE PROGRAMMED.
- ◆ HIGH EFFICIENCY, HIGH FREQUENCY CHARGER TO FACILITATE ON/OFF SWITCHING AT THE INPUT.
- ◆ NO NEED FOR HIGH CAPACITY GENERATOR TO RUN THE MACHINE.
- ◆ INPUT CURRENT MONITORING FOR SWITCHOVER PURPOSE.

Technical Specifications

◆ INPUT	3Phase
◆ Voltage	415 V -20% +15%
◆ Frequency	50 Hz +/- 10%
◆ DC voltage	360 V
◆ Capacity	15 KVA/20 KVA/30KVA*
◆ OUTPUT	200 V +/- 1% , 400 V +/- 1%
◆ Frequency	50 Hz +/- 0.01%
◆ Power Factor	0.7 lag to Unity
◆ Crest Factor	5:1
◆ Transient Response	Output recovers within 5%
◆ On 10% to 100%	Recovery within One Cycle
◆ Over Load	150% for 1 Sec ,110% for 1 Min
◆ Capacity	40 KVA / 80 KVA / 120 KVA*
◆ PROTECTIONS	
◆ Rectifier	Input Under Voltage/ Over Voltage DC Over Voltage Battery Charging Over Current Single Phasing ,Reverse Phase Protection
◆ Inverter	Output Under Voltage/ Over Voltage Output Overload/Short Circuit DC Under Voltage Over Temperature
◆ AUDIO ALARM	Rectifier Trip Battery Low Pre-Alert Overload
◆ ENVIORMENT	
◆ Operating Temperature	0 to 45 Deg C
◆ Storage	-10 to 70 Deg C
◆ Humidity	Up to 95% RH (Non-condensing)
◆ Cooling	Forced air cooling

* The Capacity Input/Output can be changed as per the connected load

About US

Making Power Perfect For You Since 1990

Linear & Digital Systems, an ISO 9001 company, is a name that has come to be synonymous with state of the art power conditioning products, viz UPS systems, Inverters, Frequency Converters, Battery Chargers, Electronics Voltage Stabilizer etc, which utilize latest technologies prevalent across the globe. Setup in 1990, the company has gathered rich experience and expertise through research & development, manufacturing, distributing and servicing of power conditioning equipments.

The Infrastructure and Facilities

Our in-house R & D infrastructure is supported by a team of dedicated professionals, which is constantly working on technology up gradation. This gives us a competitive edge because we are able to offer customization of any of the equipment in our range. Our promptness in addressing the requirements of customers all over India has made us a preferred manufacturer and supplier of the power conditioning equipment.

LINEAR & DIGITAL SYSTEMS (P) LTD

New Delhi-110064

Marketed By:-

LDS Marketing

731, Industrial Area

Phase-2

Chandigarh-160002

INDIA